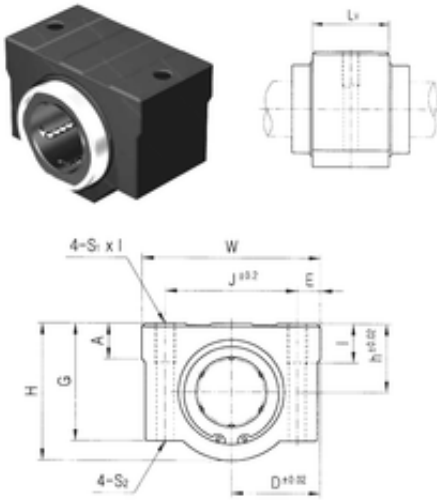




# Timken Bearing Company



## Samick SC35VUU Linear bearing

Bearing No. SC35VUU

Bore Diameter	35 mm
d	35 mm
h	34 mm
A	18 mm
D	45 mm
E	10 mm
G	54 mm
H	68 mm
J	70 mm
L	45,4 mm
S1x	M8
S2	6,8 mm
W	90 mm
Weight	0,79 Kg
Basic dynamic load rating (C)	1,66 kN

SC35VUU Bearing 2D drawings and 3D CAD models