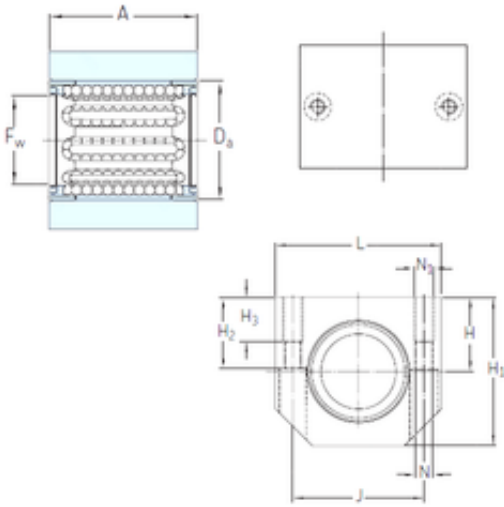




# Timken Bearing Company



## SKF LUHR 50 Linear bearing

Bearing No. LUHR 50

Bore Diameter	50 mm
Fw	50 mm
H3	26 mm
Da	62 mm
A	70 mm
H	47 mm
H1	92 mm
H2	46 mm
J	82 mm
L	103 mm
N	10,5 mm
Thread (N1)	M12
Weight	1,19 Kg
Basic dynamic load rating (C)	6,95 kN

LUHR 50 Bearing 2D drawings and 3D CAD models