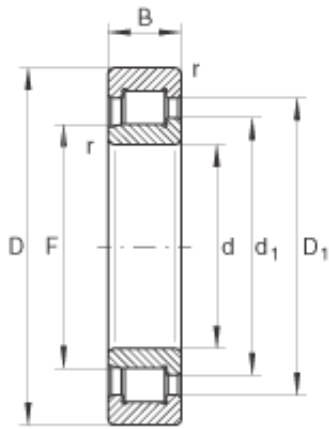




Timken Bearing Company

220 mm x 460 mm x 145 mm INA SL192344-TB Cylindrical roller bearing



Bearing No. SL192344-TB

Size	220x460x145 mm
Bore Diameter	220 mm
Outer Diameter	460 mm
Width	145 mm
d	220 mm
D	460 mm
B	145 mm
D ₁	388,3 mm
d ₁	297 mm
F	266,71 mm
r _{min}	5 mm
s	7 mm / Axial displacement
m	111,2 kg / Weight
C _r	2650000 N / Dynamic load rating (radial)
C _{0r}	3450000 N / Static load rating (radial)
C _{ur}	355000 N / Fatigue limit load, radial
n _G	910 1/min / Limiting speed

SL192344-TB Bearing 2D drawings and 3D CAD models