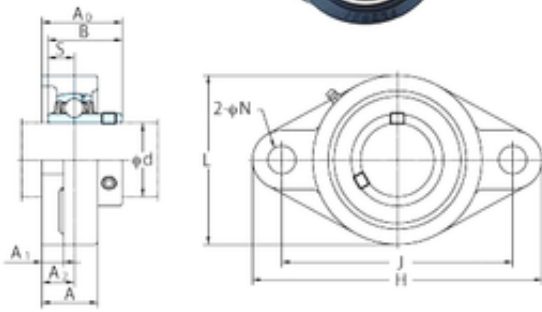




Timken Bearing Company

FYH UCFL316 Bearing section

Bearing No. UCFL316



UCFL316 Bearing 2D drawings and 3D CAD models

Bore Diameter	80 mm
d	80 mm
A0	90 mm
A	68 mm
A1	32 mm
B	86 mm
H	355 mm
J	285 mm
L	210 mm
N	38 mm
S	34 mm
Bolt (G)	13,3
Bolt (G)	M33
A2	38 mm
Weight	14,4 Kg
Basic static load rating (C0)	123 kN