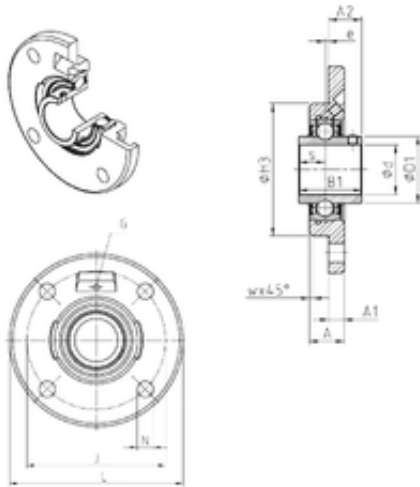




# Timken Bearing Company



## SNR UCFCE206 Bearing section

Bearing No. UCFCE206

Bore Diameter	30 mm
d	30 mm
H3	80 mm
e	2 mm
s	15,9 mm
A	21 mm
A1	9,5 mm
B1	38,1 mm
D1	40,3 mm
J	100 mm
L	125 mm
N	11,5 mm
W	2 mm
Thread (G)	M6x1
A2	20,2 mm
Weight	1 Kg
Basic dynamic load rating (C)	19,5 kN

UCFCE206 Bearing 2D drawings and 3D CAD models