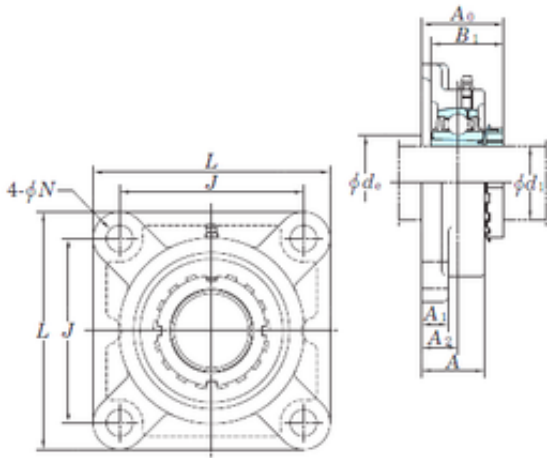




# Timken Bearing Company

## KOYO UKF210 Bearing section

Bearing No. UKF210



UKF210 Bearing 2D drawings and 3D CAD models

Bore Diameter	45 mm
d	45 mm
A0	48,5 mm
d3	58 mm
A	40 mm
A1	16 mm
B1	42 mm
J	111 mm
L	143 mm
N	16 mm
Thread (G)	M14
A2	22 mm
Weight	2,6 Kg
Basic dynamic load rating (C)	35,1 kN
Basic static load rating (C0)	23,3 kN