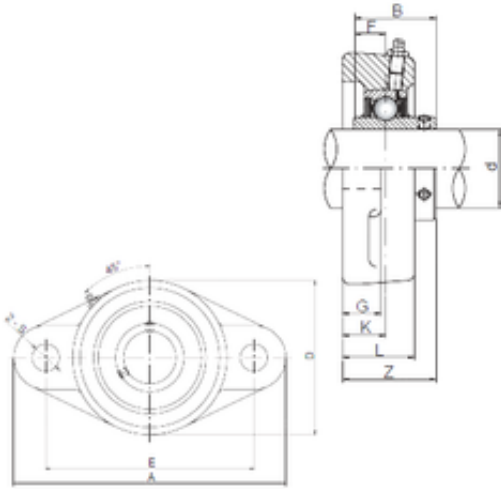




# Timken Bearing Company

## 35 mm x 105 mm x 49,2 mm ISO UCFLX07 Bearing section

Bearing No. UCFLX07



Bore Diameter	35 mm
d	35 mm
B	49,2 mm
Z	51,2 mm
A	171 mm
D	105 mm
E	144 mm
F	19 mm
G	16 mm
K	21 mm
L	38 mm
S	16 mm
Bolt (G)	M14

UCFLX07 Bearing 2D drawings and 3D CAD models