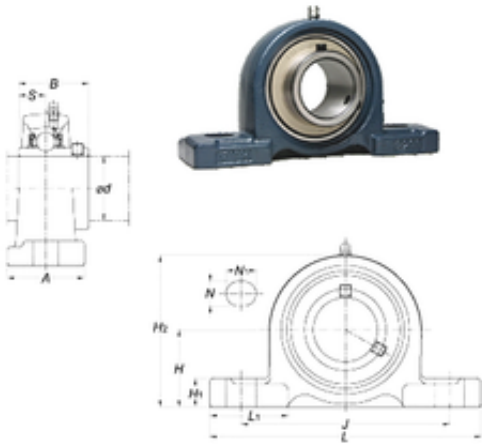




Timken Bearing Company

FYH UCP212-36 Bearing section



Bearing No. UCP212-36

Bore Diameter	57,15 mm
Width	65,1 mm
d	57,15 mm
A	70 mm
B	65,1 mm
H	69,8 mm
H1	22 mm
H2	138 mm
J	184 mm
L	241 mm
L1	76 mm
N	20 mm
N1	25 mm
S	25,4 mm
Bolt (G)	M16
Weight	4,9 Kg
Basic dynamic load rating (C)	52,4 kN
Basic static load rating (C0)	36,2 kN

UCP212-36 Bearing 2D drawings and 3D CAD models