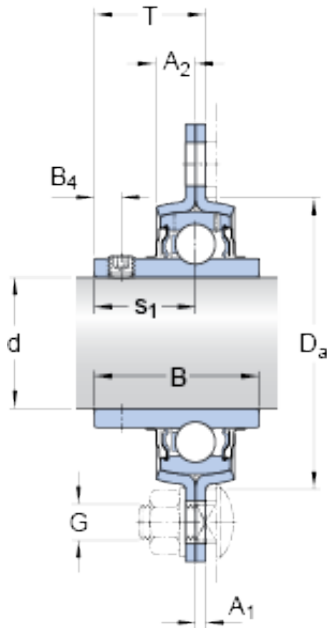




Timken Bearing Company



PF 20 TF Bearing 2D drawings and 3D CAD models

SKF PF 20 TF Bearing section

Bearing No. PF 20 TF

Size	20x2x8 mm
Bore Diameter	20 mm
Outer Diameter	2 mm
Width	8 mm
d	20 mm
A ₁	2 mm
A ₂	8 mm
B	31 mm
B ₄	4.5 mm
D _a - min.	51 mm
J	71.4 mm
H	90 mm
H	8.7 mm
s ₁	18.3 mm
T	20.3 mm
Basic dynamic load rating - C	12.7 kN
Basic static load rating - C ₀	6.6 kN
Fatigue load limit - P _u	0.28 kN
Permissible radial housing load	max. 3.3 kN
Weight	0.3 kg
Thread - G ₂	M6x0.75
Hexagonal key size for grub screw - H	3 mm
Housing material	Pressed steel



Timken Bearing Company

A ₁	2 mm
A ₂	8 mm
B ₄	4.5 mm
D _a min.	51 mm
N	8.7 mm
s ₁	18.3 mm
Basic dynamic load rating C	12.7 kN
Basic static load rating C ₀	6.55 kN
Fatigue load limit P _u	0.28 kN
Permissible radial housing load max.	3.3 kN
Mass unit	0.3 kg
Thread grub screw G ₂	M6x0.75
Hexagonal key size for grub screw N	3 mm
Recommended tightening torque for grub screw	4 N · m
Recommended diameter for attachment bolts, mm G	8 mm
Recommended diameter for attachment bolts, inch G	0.3125 in